

USER MANUAL

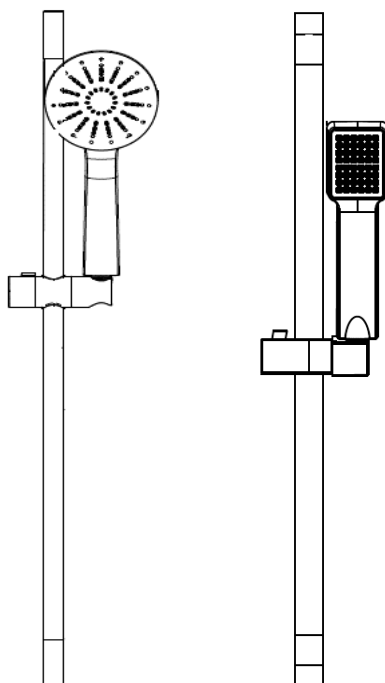


Thank you for choosing Better Bathrooms.
Please read this manual before installing your product
and keep for future reference.

Better
Bathrooms.com

Side Rail Kit

BeBa_26361 & BeBa_26362



Please note: Image is for illustrative purposes only and may differ slightly to the actual product

- **Single-person assembly**
- **Tools required**
- **We always recommend using professional tradespeople to install your product**

V1_11.6.20

Congratulations on your purchase

And welcome to our growing gang of savvy shoppers

We're on a mission to bring you extraordinary bathroom products, for less. From modern to traditional style ceramics, plus the gorgeous fixtures, fittings and furniture to match. So, you can fall in love with your space every single day.

As one of the UK's largest independent bathroom stores, we've received countless awards; including the National Business Awards UK, the Digital Entrepreneur Awards and being placed on The Sunday Times Fast Track 100.

We hope your new product exceeds your highest expectations. However, if you experience any problems, please:

- call our friendly UK call centre on **0871 244 0935** (9am-7pm Monday to Friday, or 10am-4pm Saturday and Sunday), or
- send us a message via **customerservices@buyitdirect.co.uk**

Important information

- Please read these instructions thoroughly and retain for future reference.

Parts

1 x Rail

2 x Rail end brackets

2 x Wall plugs

2 x Wall screws

1 x Hand shower

1 x Shower hose (including 2 x seals)

1 x Slider bracket

Tools required

Drill and 6mm Bit

Screwdriver

Tape measure

Pencil

Spirit level

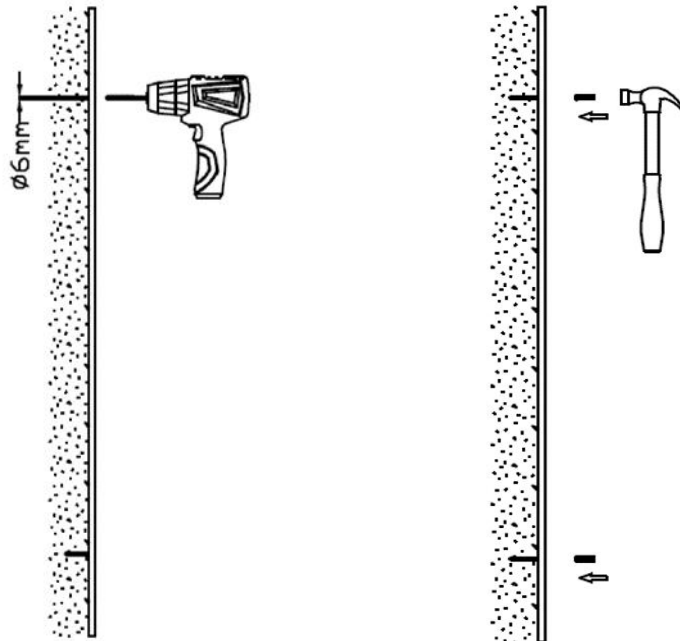
Installation

IMPORTANT: Before drilling, always check for pipes and cables

1. Position the rail end brackets onto the rail and measure the distance between the fixing holes in the brackets. Mark the dimension in the required location on the wall and check that the holes are aligned using a spirit level

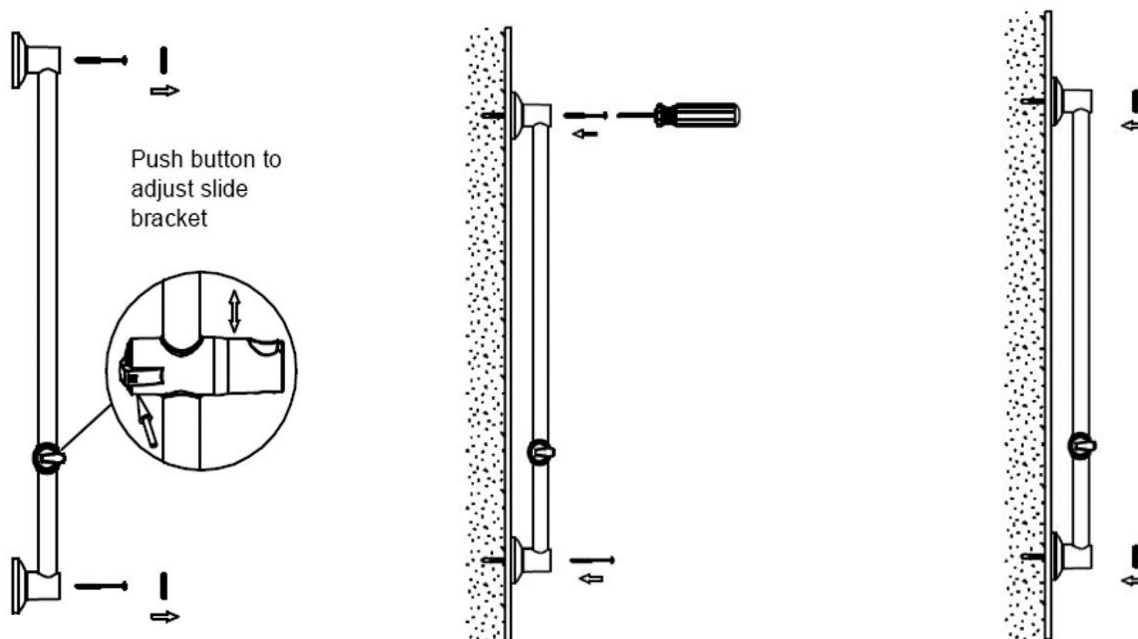
Please note: Ensure that the location of the slider when at its highest point will not put the hose under tension.

2. Drill the holes in the location required using a 6mm drill bit then Insert the wall plugs and tap flat to finish the wall surface.



IMPORTANT: When fitting the slider bracket ensure that the wider opening for the hand shower faces upwards

3. Remove the chrome caps from the end brackets, fit the slider bracket to rail, pressing the button or turning the lever to loosen, then slide this onto the rail then fit the rail onto the end brackets.
4. Hold the assembly over the drilled holes and secure using the screws provided. Finally re-fit the chrome caps to the end brackets.



IMPORTANT: During use, do not move the slider on the rail without pressing the button or turning the lever to loosen as this will damage the slider bracket over time

Cleaning

To maintain the surface finish of your product, wipe clean after every use, using a clean damp cloth, a mild detergent mixture can be used. Do not use abrasive cleaning agents or materials on the product surface.

If any harsh chemicals come into contact with the surface of the product during bathroom cleaning, rinse off immediately, wipe clean and dry.

For more information

- visit betterbathrooms.com
- email customerservices@buyitdirect.co.uk
- call 0871 244 0935
- write to Trident Business Park, Neptune Way, Huddersfield, HD2 1UA

Better
bathrooms.com

Part of the BuyItDirect Group